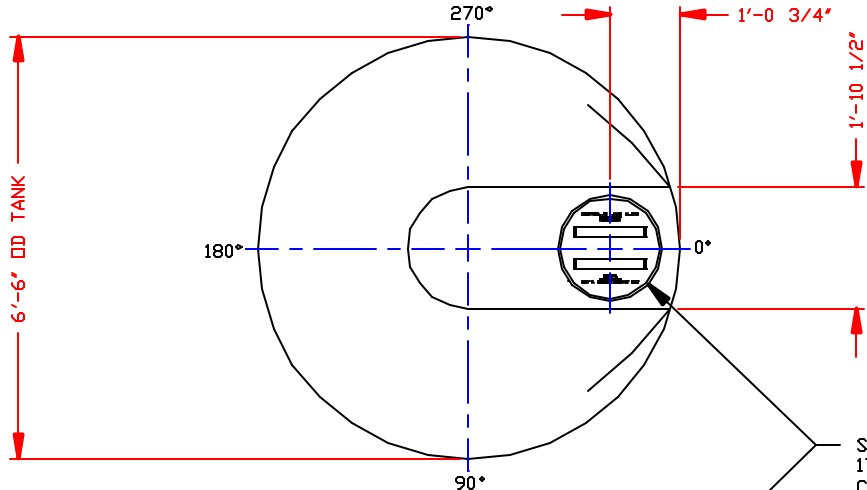
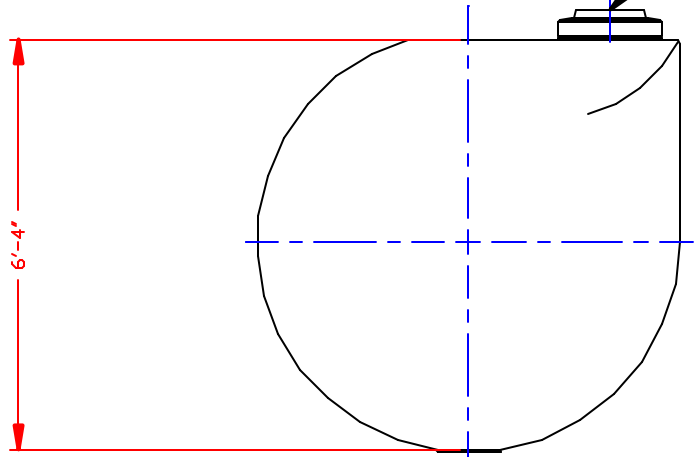


NON-CONTROLLED COPY
 INFORMATION SUBJECT TO CHANGE WITHOUT NOTICE
 COPY WILL NOT BE UPDATED

COPY ISSUED BY.....
 COPY ISSUED ON.....



STANDARD COVER:
 17'/BUTTRESS THREAD
 CAP/BLACK PE
 STOCK NO. 4558



NOZZLE SCHEDULE & ACCESSORIES					
SERVICE	MK	STOCK NO.	SIZE	FITTING	DEG ELEV

NOTES
 1. THIS IS A COMPUTER GENERATED DWG. DO NOT REVISE BY HAND.
 2. DIMENSIONS WILL VARY ±3% DUE TO VARIATIONS IN MULTIPLE MOLDS & CONDITIONS PREVALENT DURING MANUFACTURE & USAGE.
 3. NO GALLONAGE MARKERS THIS TANK.

CALCULATED CAPACITY
 VOLUME IN U.S. GALLONS
 DESIGN CAPACITY
 1080

CONFIDENTIAL PROPERTY OF
 POLY PROCESSING COMPANY
 NOT FOR REPRINT OR USE
 WITHOUT PERMISSION

DWG TITLE			
1080 GALLON POLYSHERE TANK			
SCALE: 1/2"=1'-0"		<small>William Riegler P.E. REG. IN MECH. ENGINEERING FRESNO COUNTY, CALIFORNIA P.E. NO. 34445</small>	DR: MB WILKERSON
DATE: 2/19/02		<small>FOR ALL 2002-02-03</small>	CHK: J. BRANTLEY
SHEET		COMPUTER FILE	REV
1 OF 1		16001080	-