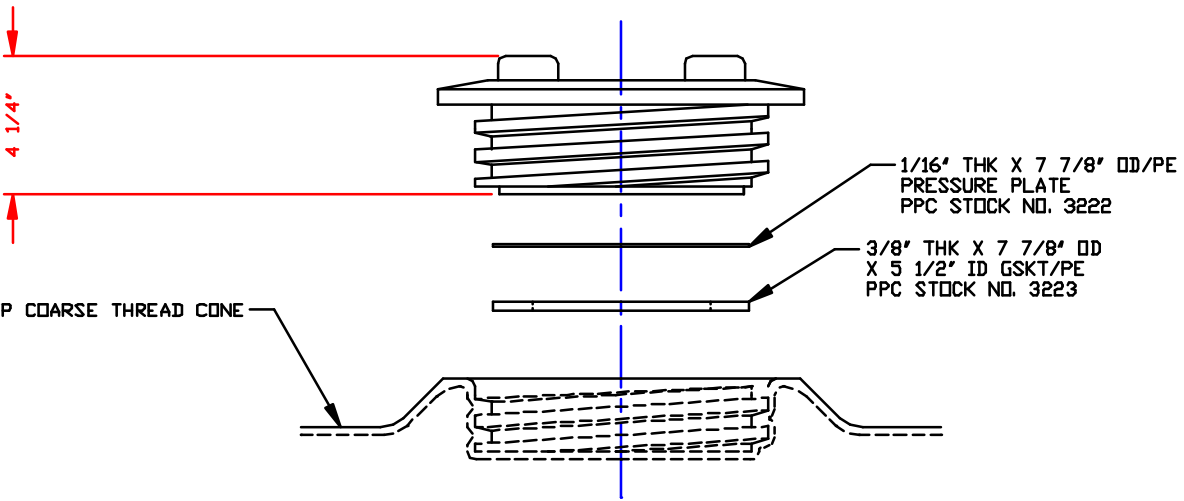
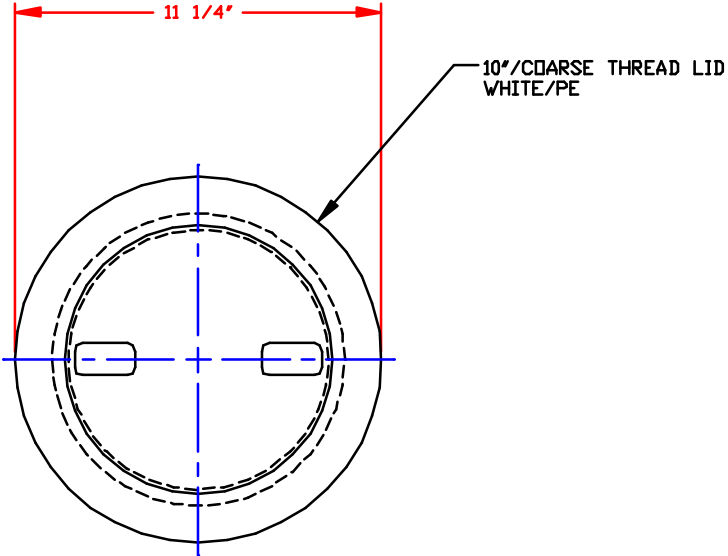


| | |
|---|---|
| <p>NON-CONTROLLED COPY</p> <p>INFORMATION SUBJECT TO CHANGE WITHOUT NOTICE</p> <p>COPY WILL <u>NOT</u> BE UPDATED</p> | <p>COPY ISSUED BY.....</p> <p>COPY ISSUED ON.....</p> |
|---|---|



NOTES

1. THIS IS COMPUTER GENERATED DWG. DO NOT REVISE BY HAND.
2. PPC STOCK NO. 3211.

CONFIDENTIAL PROPERTY OF
POLY PROCESSING COMPANY
NOT FOR REPRINT OR USE
WITHOUT PERMISSION

| | | | |
|-----------|----------|-----------------------|------------------|
| DWG TITLE | | 10" COARSE THREAD LID | |
| SCALE: | 3"=1'-0" | | DR: MB WILKERSON |
| DATE: | 10/4/00 | | CK: J. BRANTLEY |
| | | SHEET | COMPUTER FILE |
| | | 1 OF 1 | 10CTL - |