

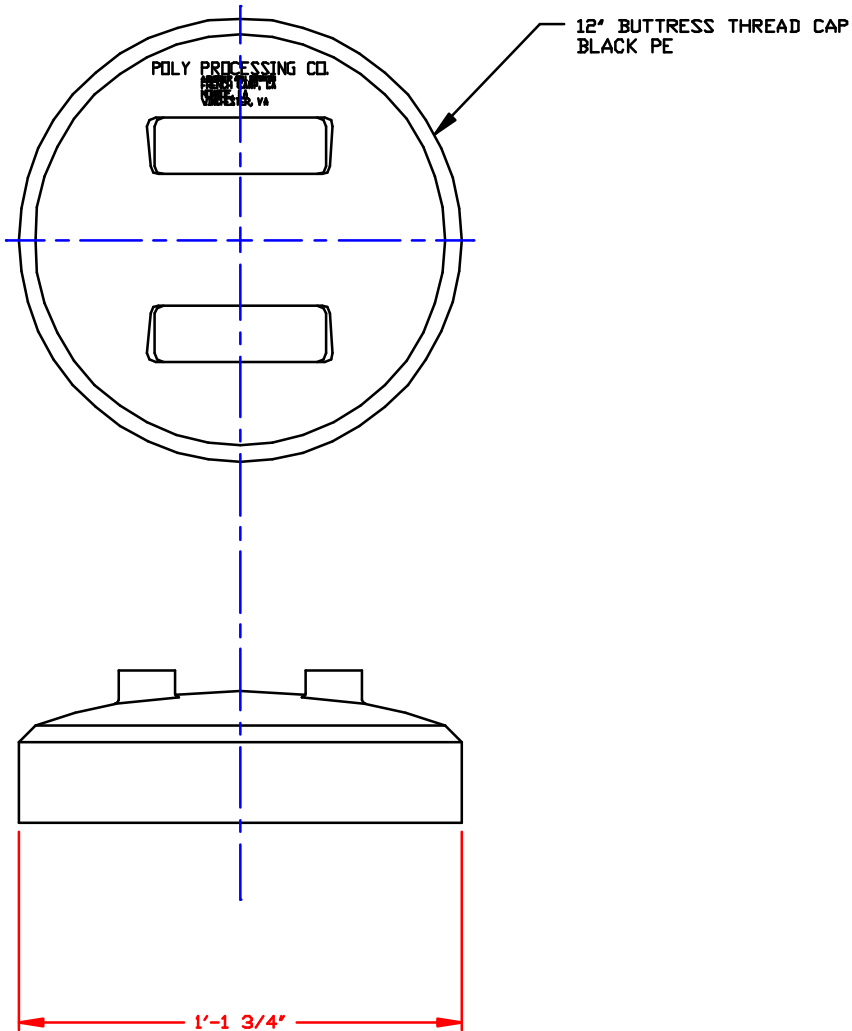
NON-CONTROLLED COPY

INFORMATION SUBJECT TO CHANGE WITHOUT NOTICE

COPY WILL NOT BE UPDATED

COPY ISSUED BY.....

COPY ISSUED ON.....



NOTES

- 1. THIS IS A COMPUTER GENERATED DWG. DO NOT REVISE BY HAND.
- 2. PPC STOCK NO. 5167.

CONFIDENTIAL PROPERTY OF
POLY PROCESSING COMPANY
NOT FOR REPRINT OR USE
WITHOUT PERMISSION

DWG TITLE		12" BUTTRESS THREAD CAP	
SCALE:	3"=1'-0"		DR: MB WILKERSON
DATE:	10/4/00		CK: J. BRANTLEY
		SHEET	COMPUTER FILE
		1 OF 1	12BTC
			REV
			-