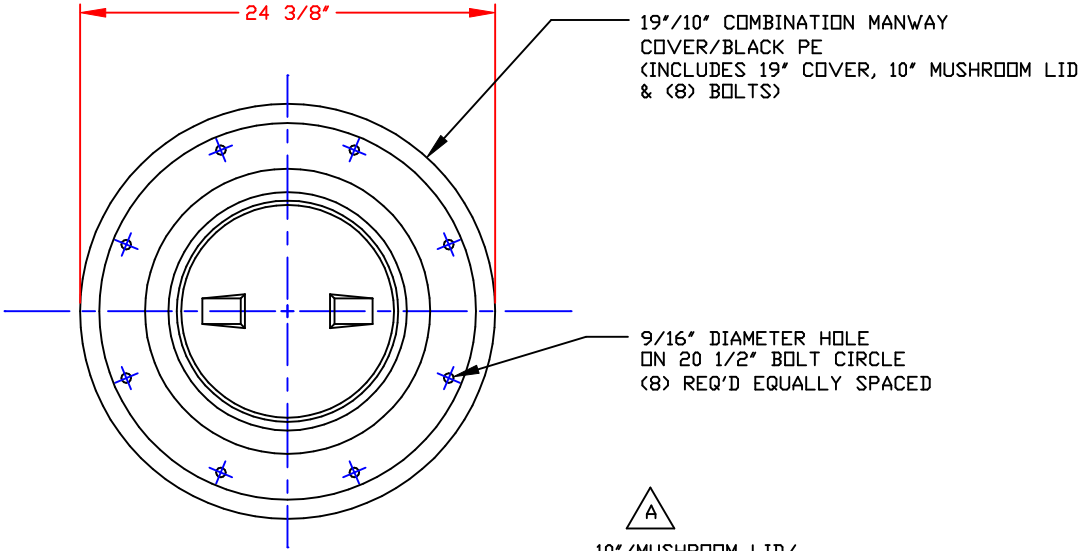


| | |
|--|---|
| <p>NON-CONTROLLED COPY</p> <p>INFORMATION SUBJECT TO CHANGE WITHOUT NOTICE</p> <p>COPY WILL NOT BE UPDATED</p> | <p>COPY ISSUED BY.....</p> <p>COPY ISSUED ON.....</p> |
|--|---|

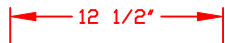


19"/10" COMBINATION MANWAY COVER/BLACK PE (INCLUDES 19" COVER, 10" MUSHROOM LID & (8) BOLTS)

9/16" DIAMETER HOLE ON 20 1/2" BOLT CIRCLE (8) REQ'D EQUALLY SPACED



10"/MUSHROOM LID/BLACK PE PPC STOCK NO. 4791



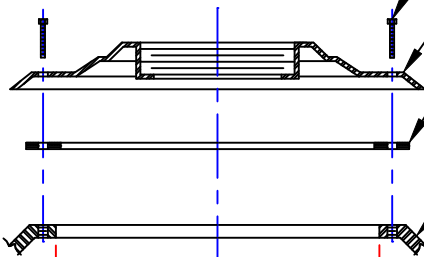
1/16" THK PRESSURE PLATE/PE (OPTIONAL) PPC STOCK NO. 3222

3/8" THK GSKT/PE (OPTIONAL) PPC STOCK NO. 3223

1/2-13 X 2 1/8" LG BOLT/BLACK PE (8) REQ'D PPC STOCK NO. 4541

19"/COMBINATION MANWAY COVER/BLACK PE PPC STOCK NO. 4593

3/8" THK GSKT (OPTIONAL) PE/PPC STOCK NO. 3224 EPDM/PPC STOCK NO. 3225 BUNA-N/PPC STOCK NO. 3226 VITON/PPC STOCK NO. 3227



TYPICAL MANWAY CASTLE DRILL & TAP (8) 1/2-13 HOLE ON 20 1/2" BOLT CIRCLE EQUALLY SPACED

19"Ø OPENING

NOTES
 1. THIS IS A COMPUTER GENERATED DWG. DO NOT REVISE BY HAND.
 2. PPC STOCK NO. 3216.

CONFIDENTIAL PROPERTY OF POLY PROCESSING COMPANY NOT FOR REPRINT OR USE WITHOUT PERMISSION

| | | | |
|-----------|--------------|----------------------------------|------------------|
| DWG TITLE | | 19"/10" COMBINATION MANWAY COVER | |
| SCALE: | 1 1/2"=1'-0" | | DR: MB WILKERSON |
| DATE: | 10/4/00 | | CK: J. BRANTLEY |
| | | SHEET | COMPUTER FILE |
| | | 1 OF 1 | 19CMWY A |

REV 'A' DID SAY '10"/COARSE THREAD LID/...' BY:JB 11/4/02 CK:MBW