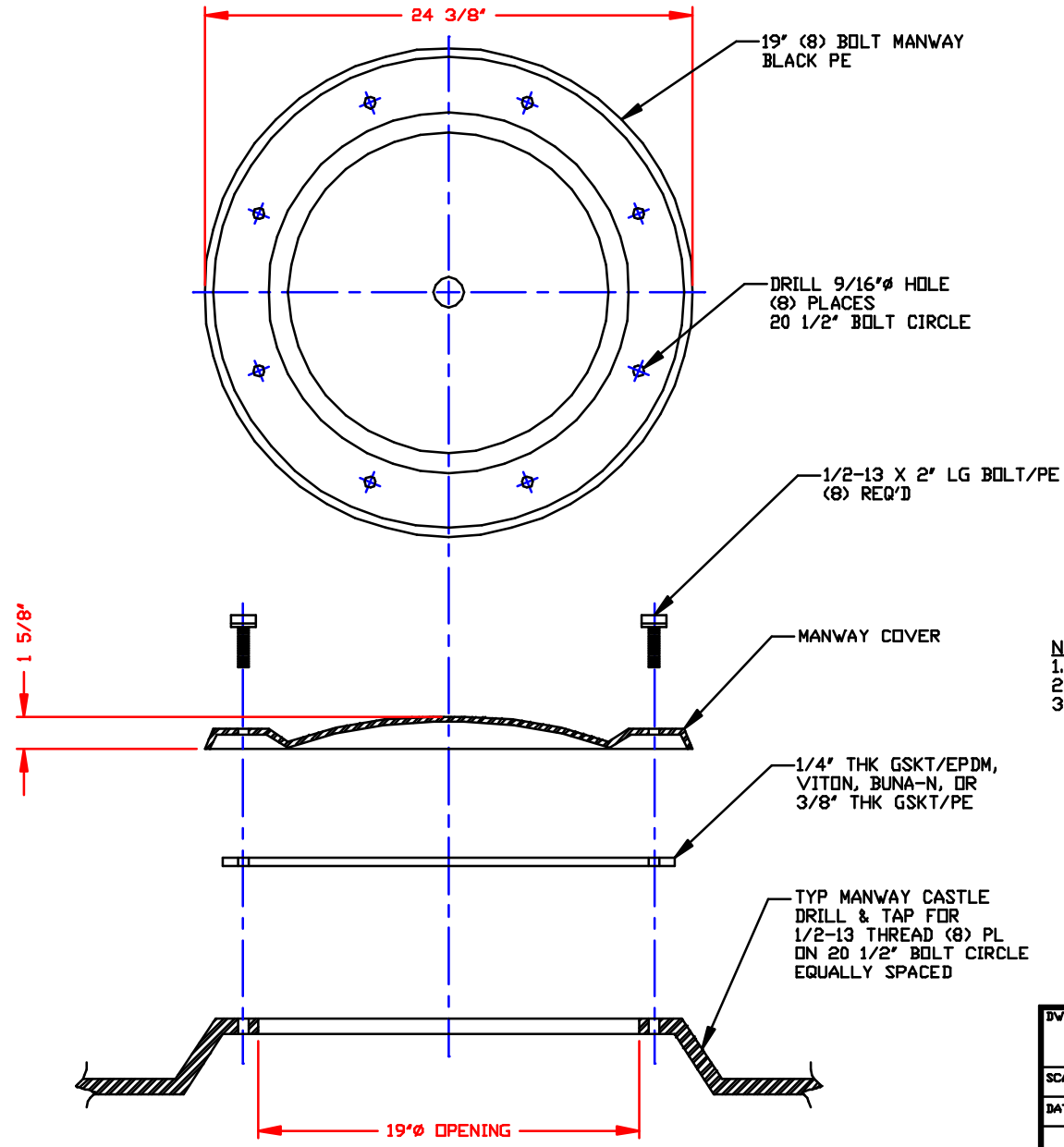


<p>NON-CONTROLLED COPY</p> <p>INFORMATION SUBJECT TO CHANGE WITHOUT NOTICE</p> <p>COPY WILL NOT BE UPDATED</p>	<p>COPY ISSUED BY.....</p> <p>COPY ISSUED ON.....</p>
--	---



- NOTES**
1. THIS IS A COMPUTER GENERATED DWG. DO NOT REVISE BY HAND.
 2. PPC STOCK NO. 3214 (DOES NOT INCLUDE GSKT).
 3. ALSO AVAILBLE 4 BOLTS. PPC STOCK NO. 3213.

CONFIDENTIAL PROPERTY OF
POLY PROCESSING COMPANY
NOT FOR REPRINT OR USE
WITHOUT PERMISSION

DWG TITLE		19" (8) BOLT MANWAY COVER	
SCALE:	2"=1'-0"		DR: MB WILKERSON
DATE:	11/1/00		CK: J. BRANTLEY
		SHEET	COMPUTER FILE
		1 OF 1	19MWY -