

NON-CONTROLLED COPY

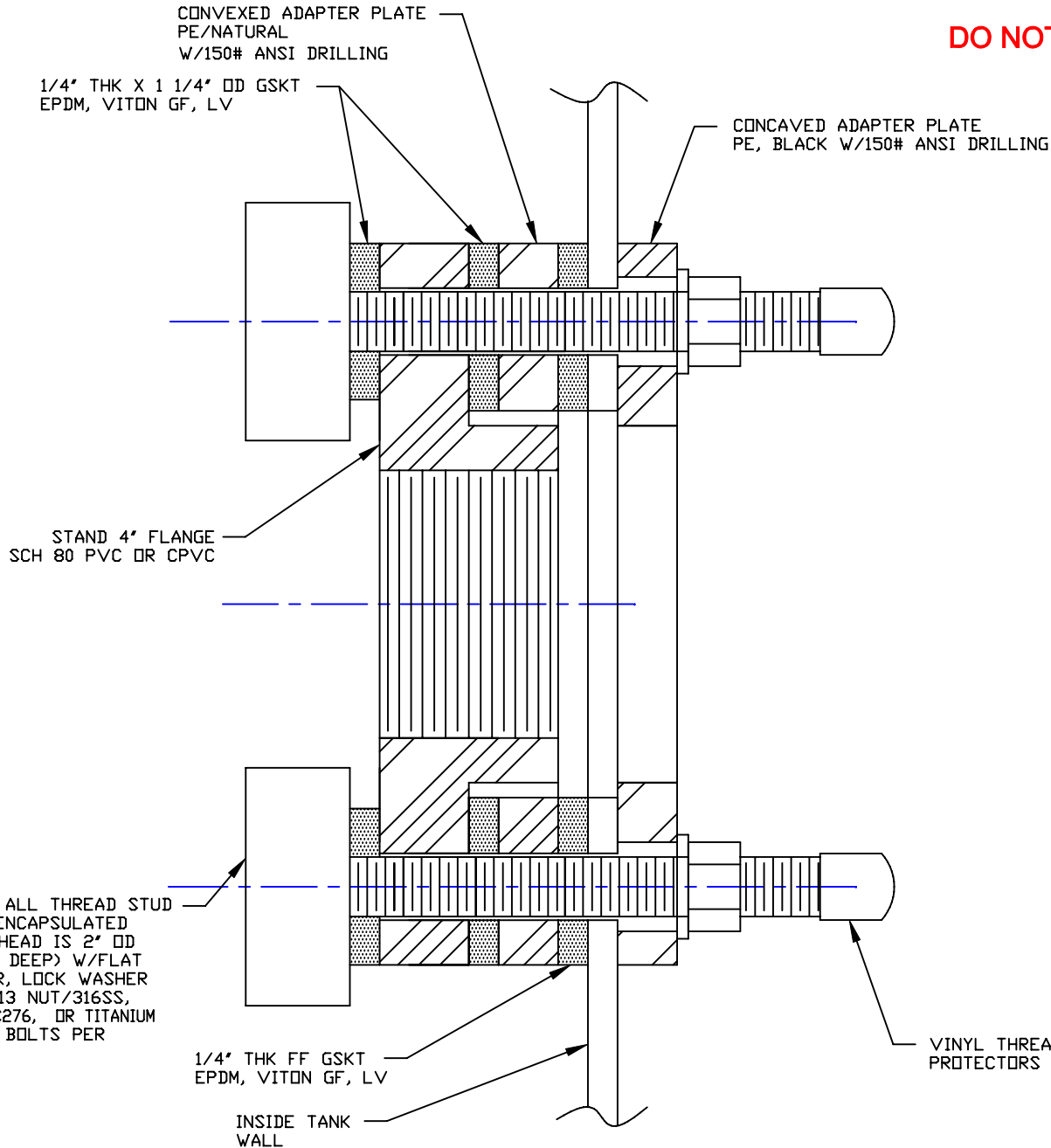
INFORMATION SUBJECT TO CHANGE WITHOUT NOTICE

COPY WILL NOT BE UPDATED

COPY ISSUED BY.....

COPY ISSUED ON.....

DO NOT USE IN SULFURIC ACID > 80% OR IN HCL



PIPE SIZE	OUTSIDE DIAMETER	BOLT CIRCLE	NUMBER BOLTS
4"	9"	7 1/2"	8

BOLTED FLANGE BULKHEAD FITTING				
PPC STOCK NOS.				
SIZE/TYPE	BOLT TYPE	EPDM	VITON GF	LV
4" PVC	SS	8544	8546	8545
	TITANIUM	8547	8549	8548
	C-276	8550	8552	8551
4" CPVC	SS	8553	8555	8554
	TITANIUM	8556	8558	8557
	C-276	8559	8561	8560

NOTES

1. THIS IS A COMPUTER GENERATED DWG. DO NOT REVISE BY HAND.
2. FLANGES WILL BE THREADED UNLESS SPECIFIED OTHERWISE.
3. BOLTED FLANGE BULKHEAD FITTINGS MAY BE USED ON THE TANK SIDE WALL, IN THE BOTTOM, OR IN THE CENTER OF THE DOME. BOLTED FLANGE BULKHEAD FITTINGS MAY ALSO BE USED ELSEWHERE ON THE DOME IF IT IS NOT NECESSARY THAT THE FITTING BE VERTICAL TO THE BASE AS THE FITTING WILL FOLLOW THE CURVE OF THE DOME.

CONFIDENTIAL PROPERTY OF
POLY PROCESSING COMPANY
NOT FOR REPRINT OR USE
WITHOUT PERMISSION

DWG TITLE				
4" BOLTED FLANGE BULKHEAD FITTING				
SCALE:	FULL	POLY PROCESSING Company	Central Region P.O. Box 4190 (71811) 2281 Old Stoneington Rd. Morrow, LA 71260 504-242-7245 FAX 504-243-6795	DR: MB WILKERSON
DATE:	4/19/07		CK: W. MANUEL	
			SHEET	COMPUTER FILE
			1 OF 14	BLTDFLGBHF -