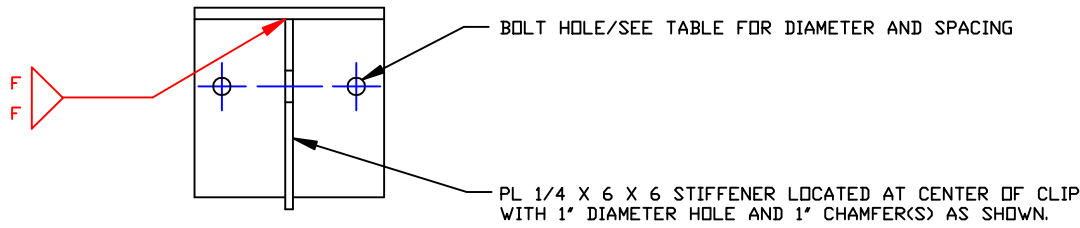


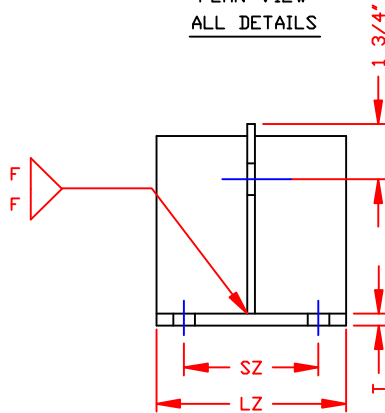
NON-CONTROLLED COPY  
 INFORMATION SUBJECT TO CHANGE WITHOUT NOTICE  
 COPY WILL NOT BE UPDATED

COPY ISSUED BY \_\_\_\_\_  
 COPY ISSUED ON \_\_\_\_\_

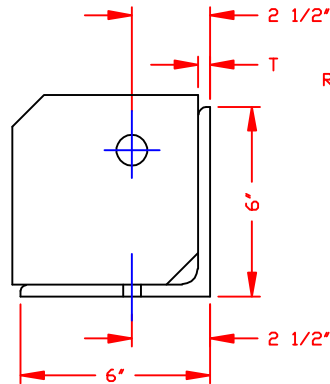


PLAN VIEW  
 ALL DETAILS

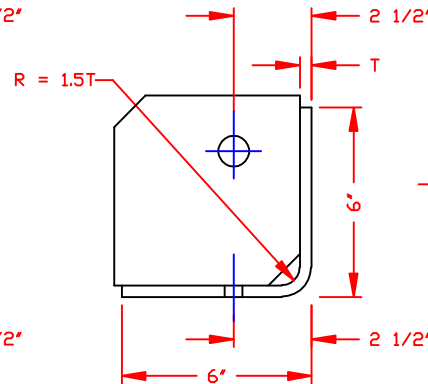
NOTE: DETAILS 1, 2 AND 3 TO ALLOW FOR BEST ECONOMIC FABRICATION IN EPOXY COATED CARBON STEEL, TYPE 304 SS AND TYPE 316 SS.



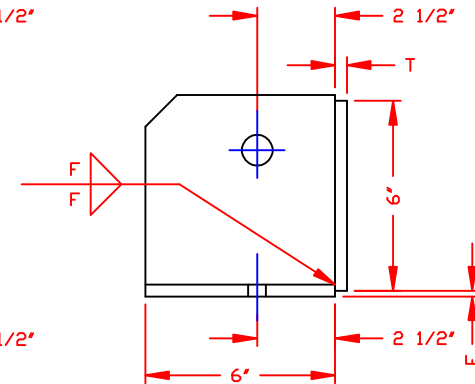
FRONT VIEW  
 ALL DETAILS



HOT ROLLED ANGLE  
 DETAIL 1  
 SIDE VIEW



FORMED ANGLE  
 DETAIL 2  
 SIDE VIEW



WELDED PLATE  
 DETAIL 3  
 SIDE VIEW

RESTRAINT CLIP DESIGNATION	T	LZ	DBH	SZ	F
RC 6 X 6 X 3/8 X 6	3/8	6	9/16	4 1/4	3/16
RC 6 X 6 X 3/8 X 12	3/8	12	9/16	4 1/4	3/16
RC 6 X 6 X 3/8 X 18	3/8	18	11/16	5	3/16
RC 6 X 6 X 3/8 X 24	3/8	24	13/16	7	3/16
RC 6 X 6 X 1/2 X 6	1/2	6	11/16	4 1/4	1/4
RC 6 X 6 X 1/2 X 12	1/2	12	13/16	5	1/4
RC 6 X 6 X 1/2 X 18	1/2	18	15/16	7	1/4
RC 6 X 6 X 1/2 X 24	1/2	24	1 1/16	9	1/4

NOTE:

BOLT HOLES TO BE EQUALLY SPACED FROM ENDS OF RESTRAINT CLIP.

- T = THICKNESS, INCHES
- LZ = CLIP LENGTH, INCHES
- DBH = BOLT HOLE DIAMETER, INCHES
- SZ = BOLT HOLE CENTER LINE SPACING, INCHES
- F = FILLET WELD SIZE, INCHES

NOTES:  
 1. THIS IS A COMPUTER GENERATED DRAWING. DO NOT REVISE BY HAND.

REV 'A' REVISED HOLE SIZES BY:BT 6/30/09 CK:CD			
DVG TITLE <b>RESTRAINT CLIPS</b> <b>FOR VERTICAL TANK RESTRAINT SYSTEMS</b>			
SCALE: 3"=1'-0"		<small>Central Region          P.O. Box 4100 07120          8201 Old Springton Rd.          Norcross, GA 30071          (770) 443-7960          FAX (770) 443-6795</small>	DR: J. BRANTLEY CK: MB WILKERSON
DATE: 5/18/01		SHEET 1 OF 1	COMPUTER FILE RESTSYSB A