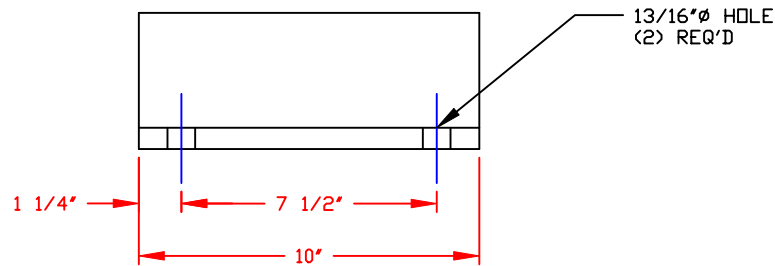
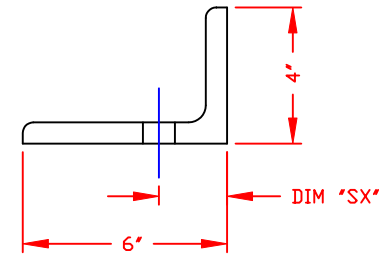
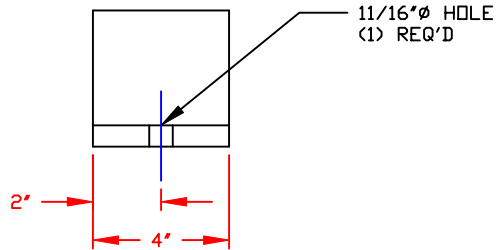


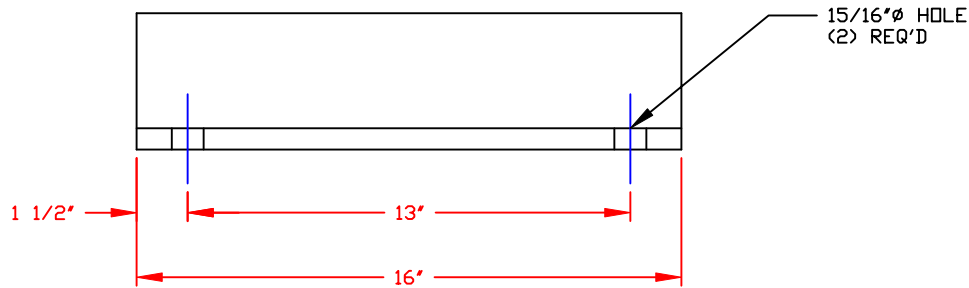
NON-CONTROLLED COPY
 INFORMATION SUBJECT TO CHANGE WITHOUT NOTICE
 COPY WILL NOT BE UPDATED

COPY ISSUED BY.....
 COPY ISSUED ON.....



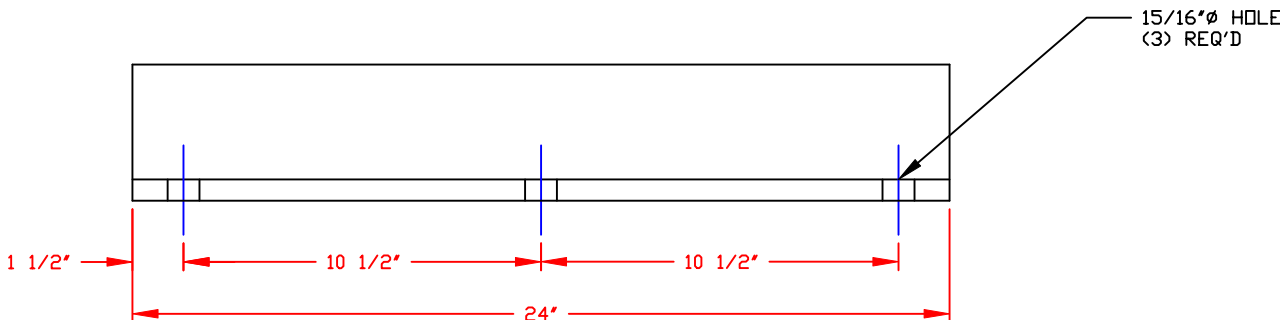
HOT ROLLED STRUCTURAL ANGLE SIZE	LENGTH	RESTRAINT CLIP DESIGNATION	DIM "SX"
L 6 X 4 X 5/8	4"	RC 6 X 4 X 5/8 X 4	2"
L 6 X 4 X 5/8	10"	RC 6 X 4 X 5/8 X 10	2 1/4"
L 6 X 4 X 5/8	16"	RC 6 X 4 X 5/8 X 16	2 1/2"
L 6 X 4 X 5/8	24"	RC 6 X 4 X 5/8 X 24	2 1/2"

TOLERANCE ON DIMENSION "SX" = + 1/8 - 0 INCHES



NOTES:

- THIS IS A COMPUTER GENERATED DRAWING. DO NOT REVISE BY HAND.
- RESTRAINT CLIPS TO BE HOT DIP GALVANIZED A36 STRUCTURAL ANGLE.
- CONTACT MANUFACTURER FOR NUMBER & SIZE OF CLIPS FOR YOUR WIND & SEISMIC REQUIREMENTS.



REV "B" ADDED NOTE 3 BY:MBW 6/2/04 CK:JB			
REV "A" UPDATED FORMAT BY:JB 5/25/01 CK:MBW			
DWG TITLE HOT DIP GALVANIZED RESTRAINT CLIPS FOR VERTICAL TANK RESTRAINT SYSTEMS			
SCALE:	3"=1'-0"		DR: J. BRANTLEY
DATE:	5/17/01		CK: MB WILKERSON
		SHEET	COMPUTER FILE
		1 OF 1	RETSYSB B