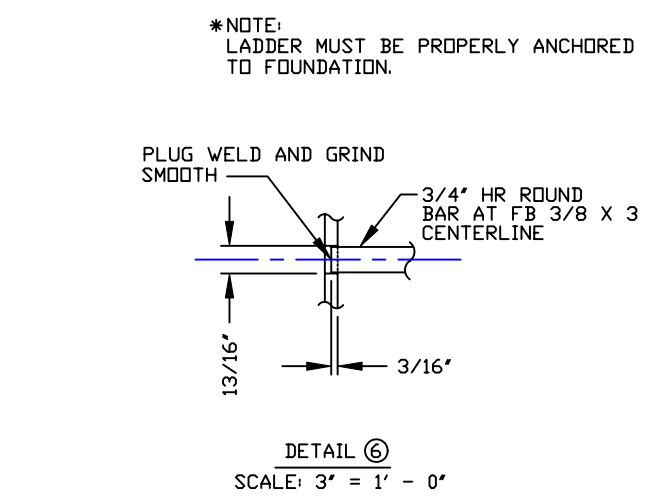
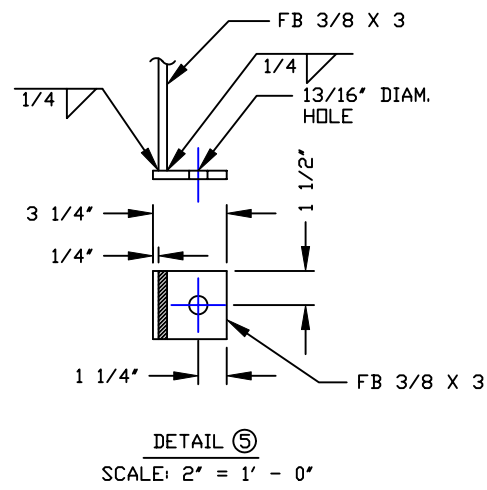
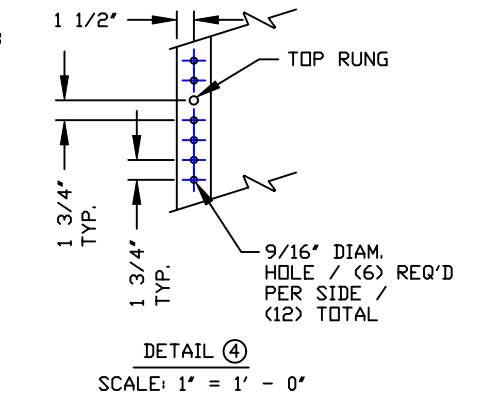
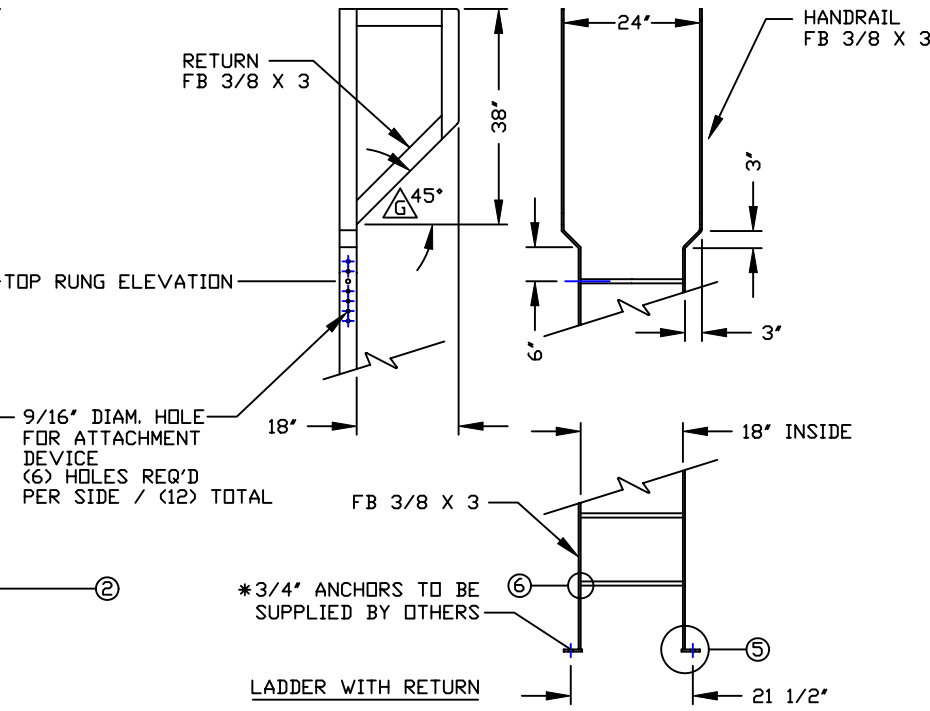
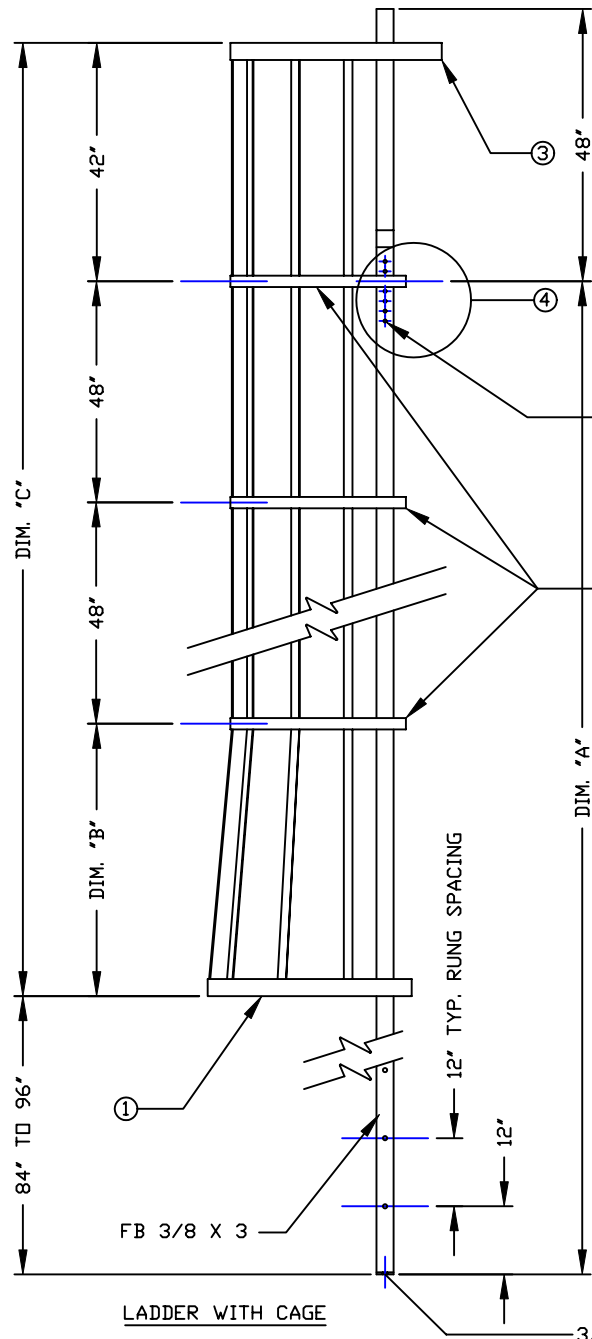


NON-CONTROLLED COPY
 INFORMATION SUBJECT TO CHANGE WITHOUT NOTICE
 VERIFY REV LEVEL OF PAPER COPY WITH REV LEVEL ON PPC WEB SITE



*NOTE:
 LADDER MUST BE PROPERLY ANCHORED
 TO FOUNDATION.

- NOTES:
- THIS IS A COMPUTER GENERATED DRAWING. DO NOT REVISE BY HAND.
 - COMPUTER DWG. NAME: "LADDERA" = SH. 1, "LADDERB" = SH. 2, "LADDERC" = SH. 3.
 - FOR DIMENSIONS "A," "B," & "C," SEE LADDER DIMENSION SCHEDULE.

DWG. TITLE			
STEEL LADDER ASSEMBLY			
SCALE: 1/2"=1'-0"	POLY PROCESSING CO.		DR. K. KEMP
DATE: 07-08-97			CK. D. RECTOR
		SHEET:	DWG. NO.
		1 OF 3	PPC080897-2
			REV. J

B-5