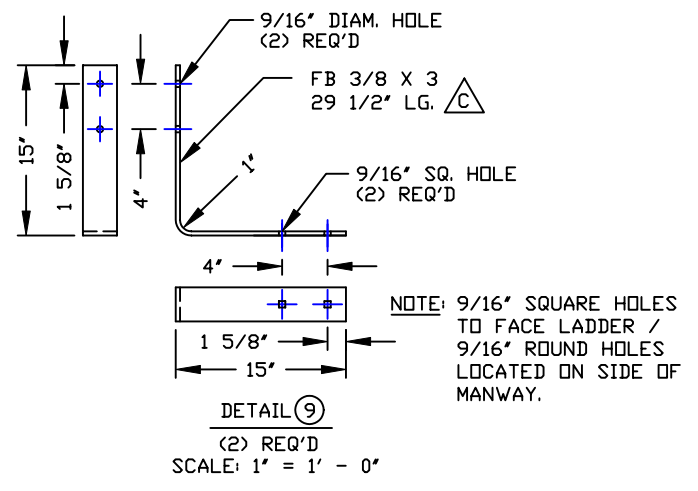
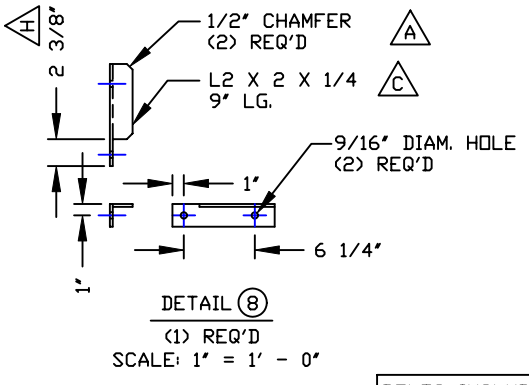
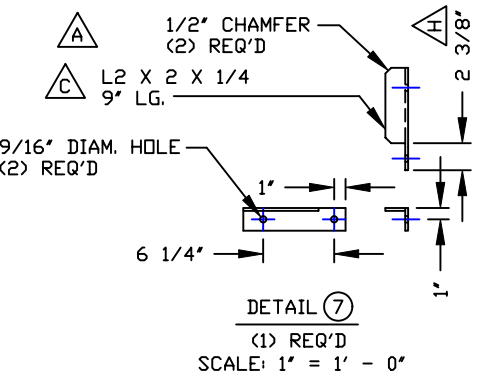
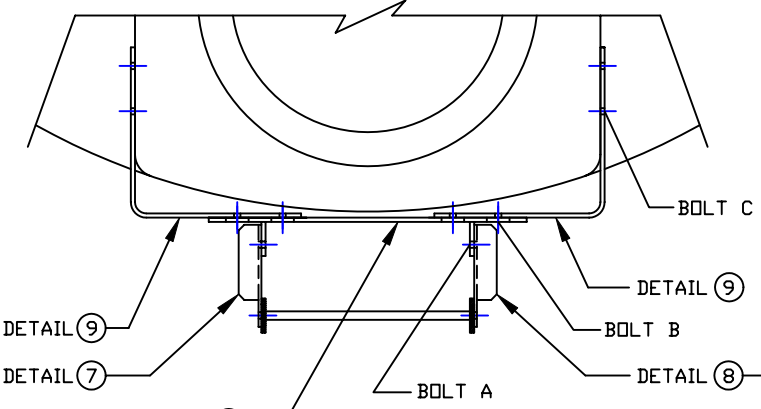


NON-CONTROLLED COPY  
 INFORMATION SUBJECT TO CHANGE WITHOUT NOTICE  
 VERIFY REV LEVEL OF PAPER COPY WITH REV LEVEL ON PPC WEB SITE

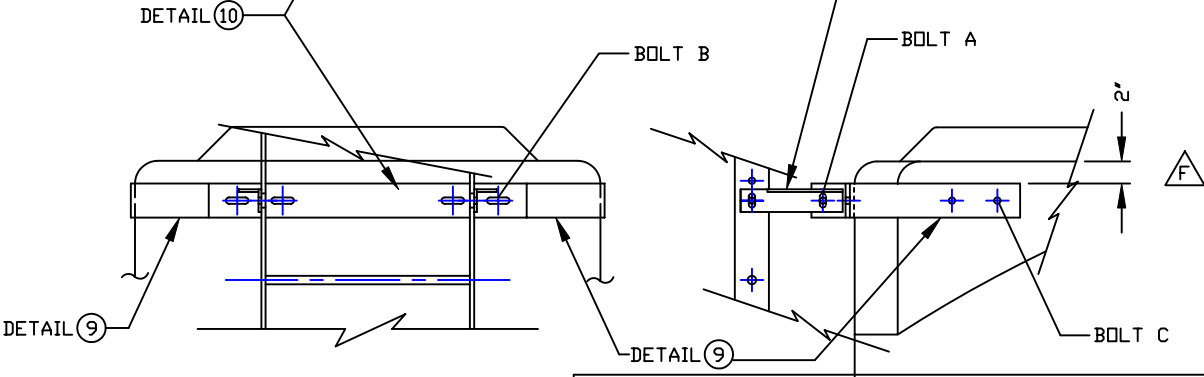
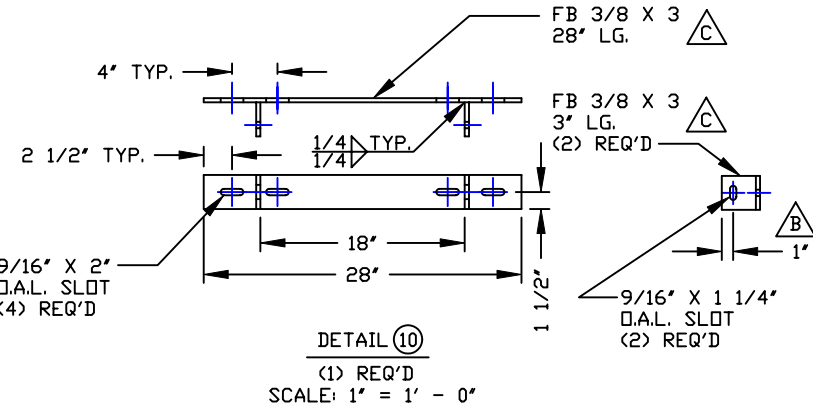


BOLTS INCLUDED WITH ASSEMBLY		
QTY.	BOLT SIZE	MARK
(4)	1/2" X 1 1/2"	A
(4)	1/2" CARRIAGE	B
(4)	1/2" PE ENCAPS.	C

NOTE: 3/4" ANCHORS TO BE SUPPLIED BY OTHERS.



NOTE: STEEL LADDER SHOWN FRP LADDER TO ATTACH ON OUTSIDE OF DTLs 7 & 8



NOTES:  
 1. THIS IS A COMPUTER GENERATED DRAWING. DO NOT REVISE BY HAND.  
 2. COMPUTER DWG. NAME: 'LADDERA' = SH. 1, 'LADDERB' = SH. 2, 'LADDERC' = SH. 3.  
 3. FOR DIMENSIONS 'A,' 'B,' & 'C,' SEE LADDER DIMENSION SCHEDULE.

LADDER / MANWAY ATTACHMENT  
 SCALE: 1' = 1' - 0'

REV. 'G' 45° ANGLE ADDED BY: DR 06/02/98 CK: KK
REV. 'F' ADDED 2" DIM. BY: KK 04/22/98 CK: DR
REV. 'E' ADDED 'NA' TO TABLE BY: KK 04/22/98 CK: DR
REV. 'D' REVISED AND REDRAWN BY: KK 01/12/98 CK: DR
REV. 'C' DID SAY 'TYPE 304 SS' BY: KK 10/08/97 CK: DR
REV. 'B' ADDED 1" DIMENSION TO DETAIL 11 BY: KK 09/19/97 CK: DR
REV. 'A' DETAILS 7 AND 8 THK. WAS 3/8" BY: KK 09/16/97 CK: DR

DVG. TITLE		STEEL LADDER ASSEMBLY	
SCALE: 1/2"=1'-0"	POLY PROCESSING CO.		DR. K. KEMP
DATE: 07-08-97			CK. D. RECTOR
SHEET: 3 OF 3		DWG. NO. PPC080897-2	REV. J

REV 'J' NOTE ADDED BY: DR 06/16/99 CK: JB  
 REV 'H' 2 3/8" COPE TO HORIZ ANGLE LEG DTLs 7 & 8 BY: DR 06/16/97 CK: JB